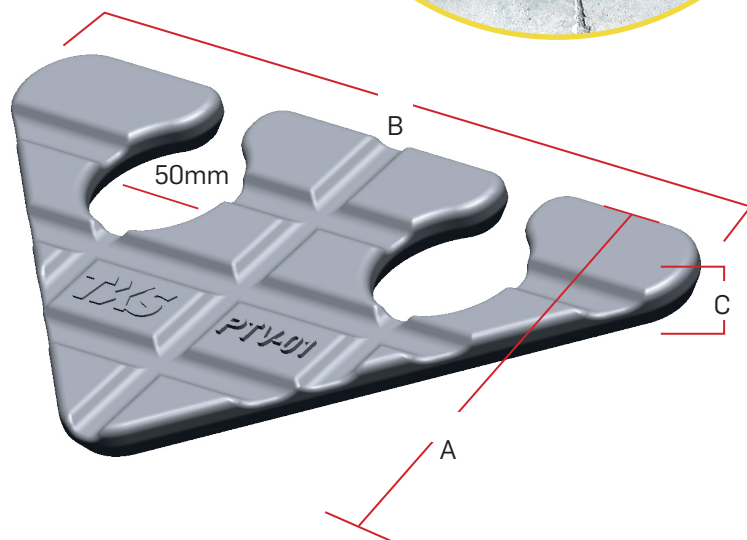
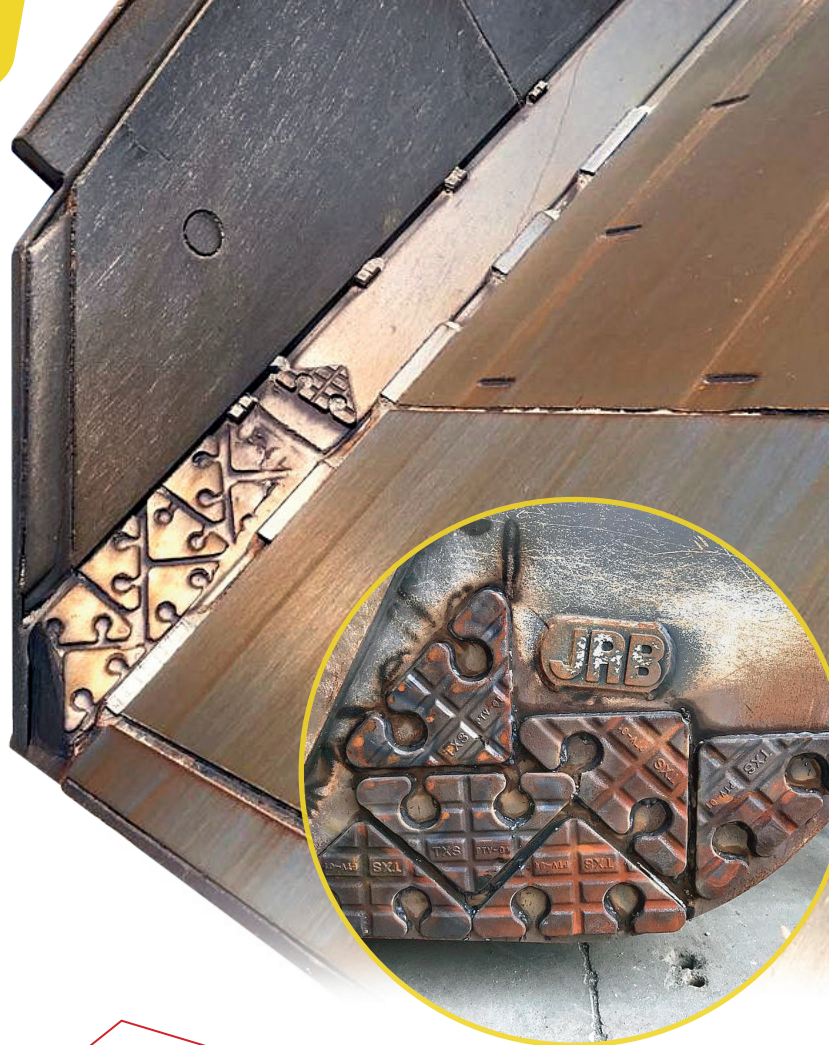




TXS PROTECTOR FOR HIGH WEAR SURFACES



MM/IN			KG/LB
A	B	C	
158 - 6	275 - 11		2.2 - 5

- Extends wear life of high wear surfaces such as buckets, breakers, truck beds and more
- Quick and easy installation – protectors can be welded on
- Offers “highest protection ratio per square inch” on the market today
- Cost effective: save money on maintenance, easy to replace once worn