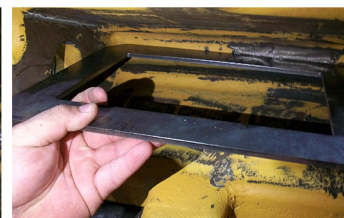




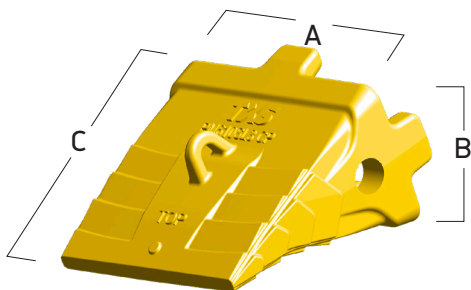
TXS MINING TEETH AND ADAPTERS SER1300

ADAPTABLE WITH

Posilok® S130H112K • Posilok Plus®
Sa130H112TK • Hensley® 640TS1122
• Caterpillar® 345-9667



**WE TEST AND
GUARANTEE
THE FITMENT
OF EACH PART**

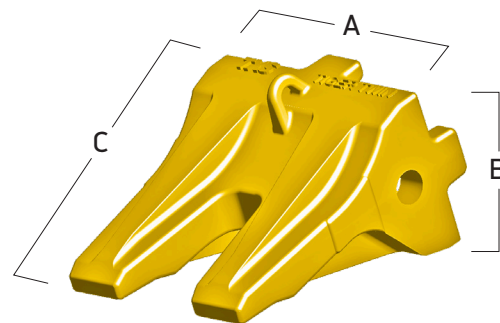


TOOTH

MM/IN			KG/LB	REF
A	B	C		
403-15.87	245-9.65	387-15.24	78-171.96	PM610SL3CP

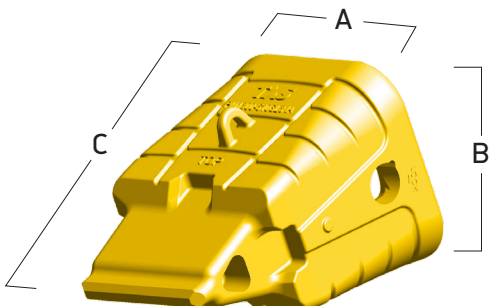
TWIN TIGER TOOTH

MM/IN			KG/LB	REF
A	B	C		
402.31-15.84	244-9.61	464.72-18.3	101-222.67	S130 WT



INTERMEDIATE ADAPTERS

MM/IN			KG/LB	REF
A	B	C		
407.8-16.06	394-15.51	560-22.05	278-612.89	PM1300-610SL 1A



Any manufacturer names and or numbers listed are shown for reference only. TXS does not imply that any listed parts are the product of the manufacturer.

TOLL FREE
1-844-TXS(897)-2656
INFO@TXSINDUSTRIALPARTS.COM